

NOVAtouch - Touch and Go!

NO MORE BUDDY PUNCHING*

FAST AND BETTER AUTHENTICATION WITH A HIGHER LEVEL OF SECURITY FOR YOUR EMPLOYEES

Your Finger Is Your Password!

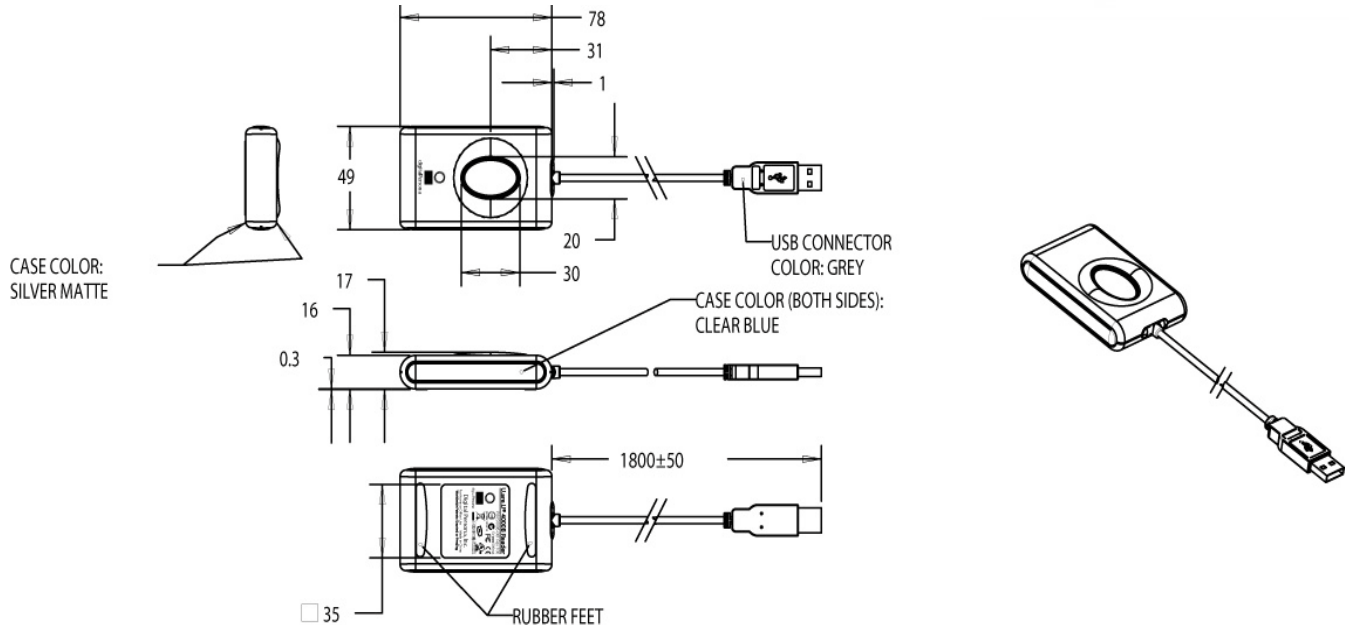


How many passwords do your employees have?

Easy-to-guess, written down, and shared passwords jeopardize your labor management and attendance tracking integrity. NOVAtime's fingerprint solution, NOVAtouch-II, improves security, reduces password administration costs and helps streamline regulatory compliance.

- ✦ **Improve security.** Fingerprint authentication assures only the user can gain access to your NOVAtime web services to punch in and out.
- ✦ **Reduce password administration.** Elimination of extraneous passwords start here.
- ✦ **Achieve regulatory compliance.** Every fingerprint logon creates a biometric audit trail (Sarbanes-Oxley, Gramm-Leach-Bliley, HIPAA, etc.).
- ✦ **Buddy punching.** It's the age-old problem of employees punching in or out for each other.





Ratings

Supply Voltage 5.0V \pm 5% supplied by USB

Supply Current—scanning 190 mA (Typical)

Supply Current—idle mode 140 mA (Typical)

Supply Current—suspend mode 1.5 mA (Maximum)

ESD Susceptibility >15 kV, mounted in case

Temperature, Operating 0 – 40 C

Humidity, Operating 20% – 80% non-condensing

Temperature, Storage -10 – 60 C

Humidity, Storage 20% – 90% non-condensing

Scan data 8-bit grayscale

Standards Compliance FCC Class B, CE, ICES, BSMI, MIC, USB, WHQL

Data subject to change without notice.